



## Art. Nr.: KBR 18L KBR 18L



### Dimensions:

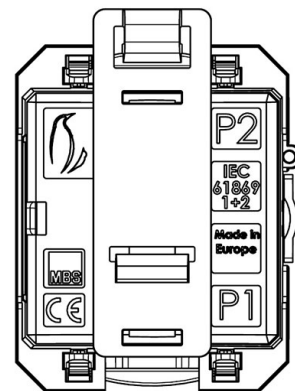
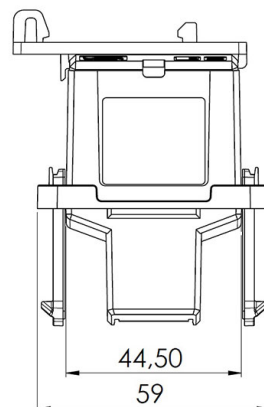
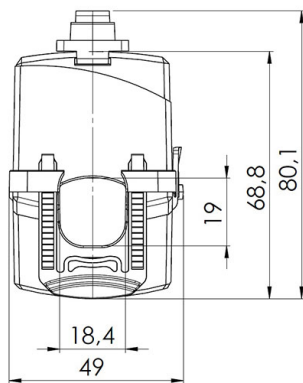
Round conductor in mm:	18,4
Width in mm:	49
Height in mm:	80,1

### Technical Data:

Therm. nominal continuous current $I_{cth}$ :	$1,2 \times I_{pr}$
Therm. nominal short-time current $I_{th}$ :	$60 \times I_{pr}$ , 1 Sek.
Max. operating voltage $U_m$ :	1,2 kV
Isolation test voltage:	6 kV, $U_{eff}$ , 50 Hz, 1 min
Nominal rated frequency:	50/60 Hz
Isolation class:	E

### General Technical Data:

### Technical Drawing:



### Contact:

MBS AG - Eisbachstrasse 51 - D-74429 Sulzbach-Laufen - [www.mbs-ag.com](http://www.mbs-ag.com)  
Tel.: +49 7976 9851-0 - Telefax: +49 7976 9851-90 - [verkauf@mbs-ag.com](mailto:verkauf@mbs-ag.com)

Date: 12.05.2022